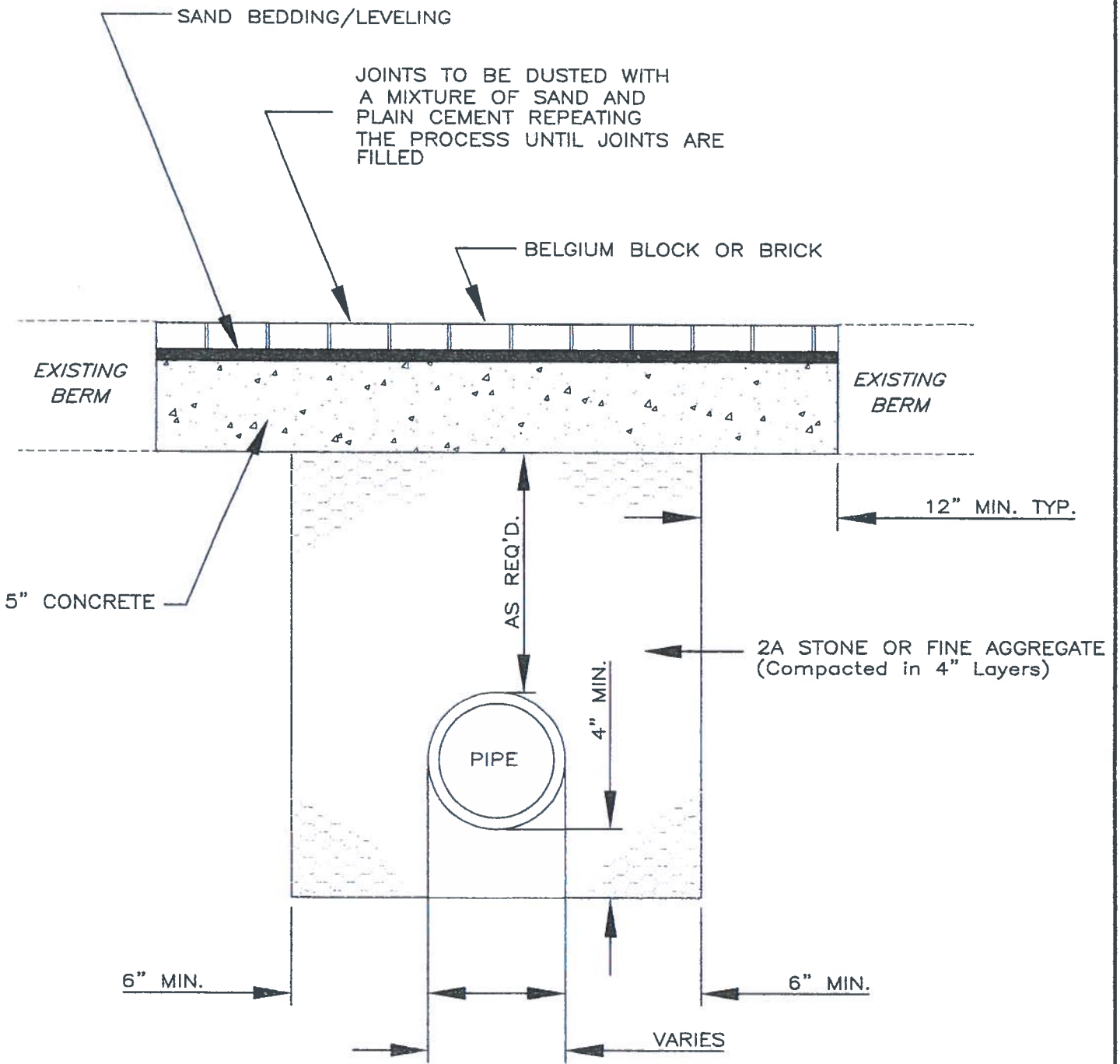
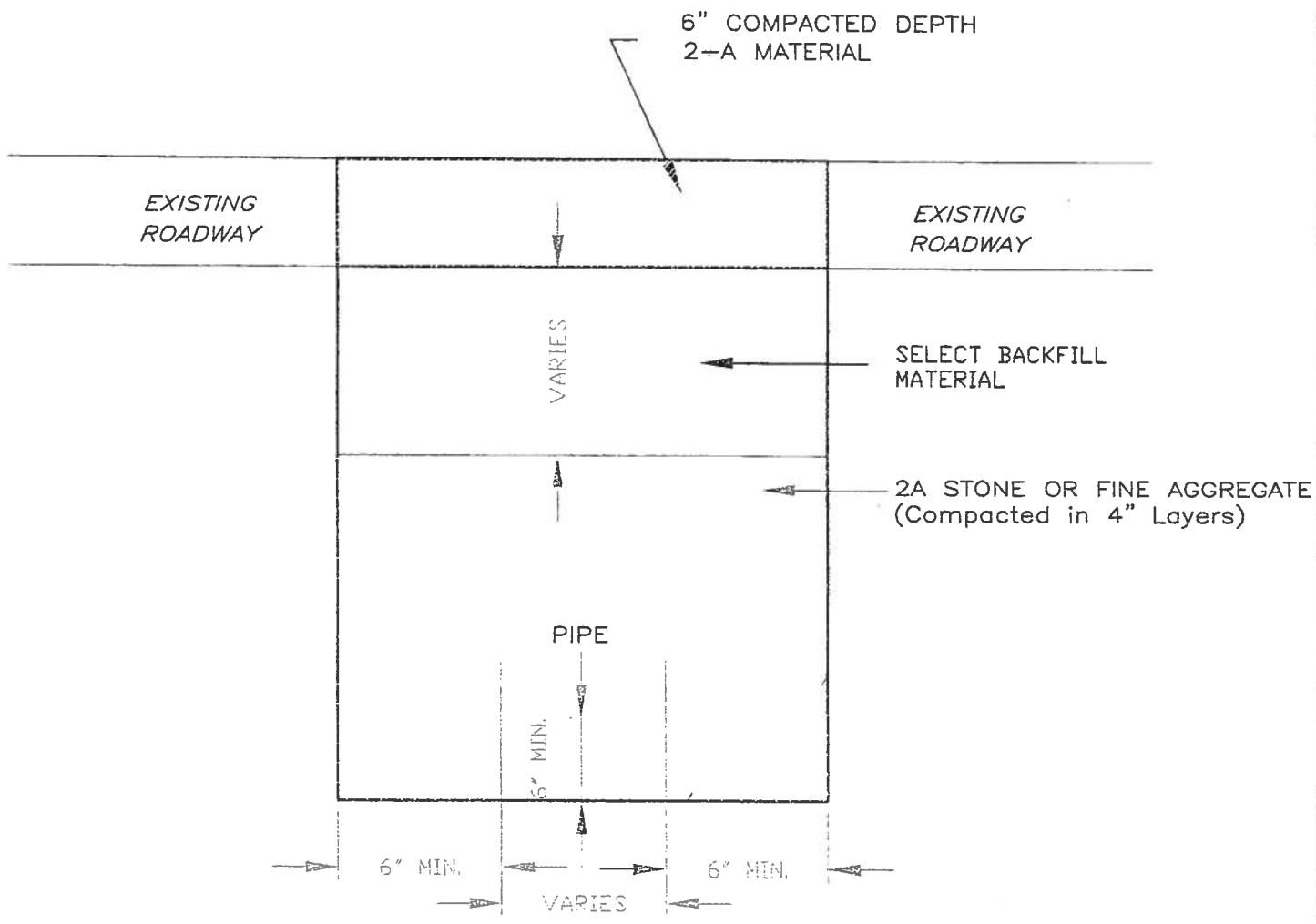


NOTE:
PINNING OF DOWELS
SHALL COMPLY WITH
COUNTY OR PADOT
SPECIFICATIONS

DESIGN BY: R.A.D.	CHECKED BY: .	DATE: 01/16/12
DRAWN BY: R.A.D.	REVISIONS: .	SCALE: N. T. S.
BOROUGH OF HOMESTEAD – TRENCH BACKFILL FOR ROADS WITH RIGID BASE ONLY		
GLENN ENGINEERING & ASSOCIATES LTD. Registered Engineers – North Huntingdon, PA	DRAWING NO.: IX : 2.03 : 09	



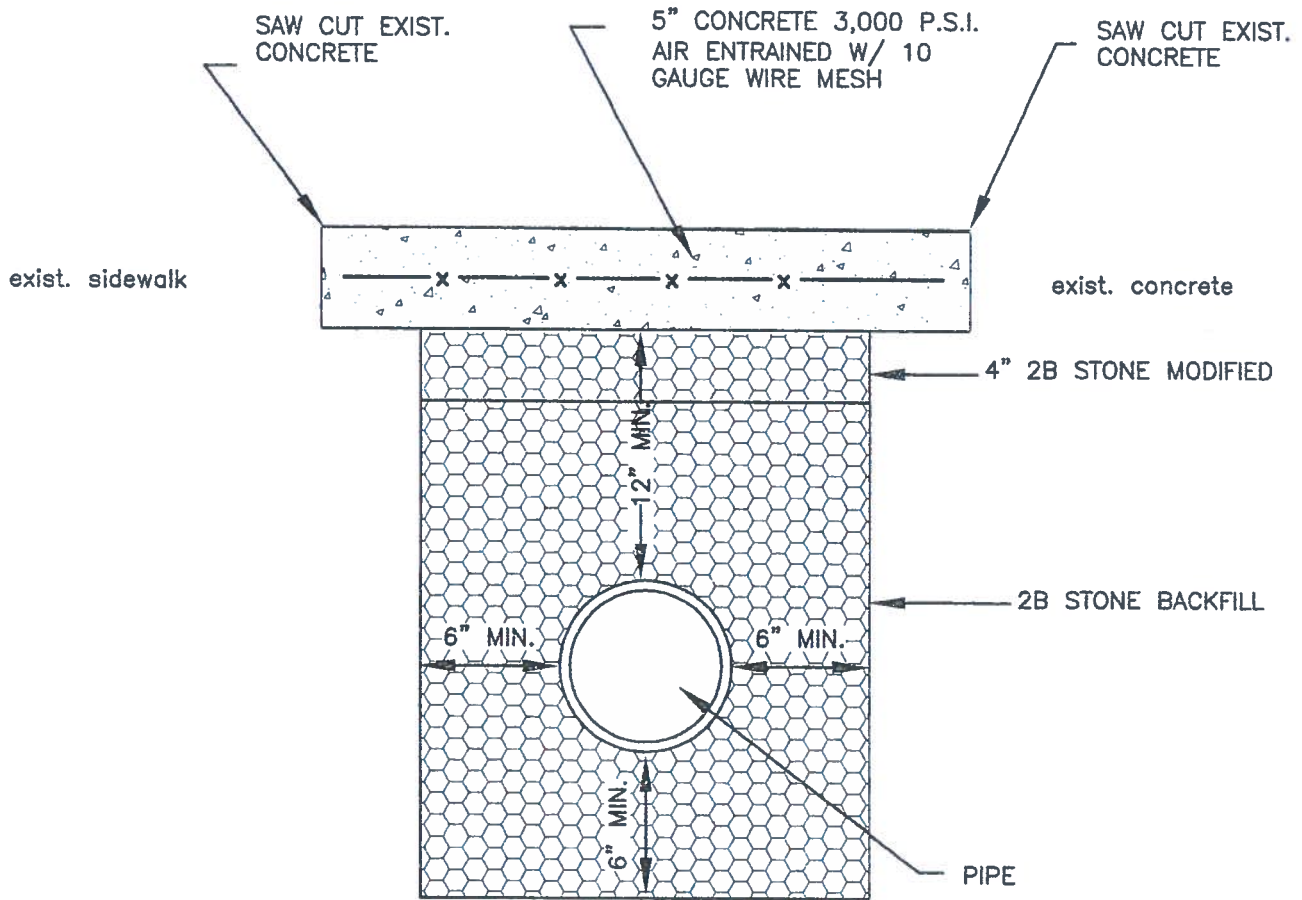
DESIGN BY: R.E.Z.	CHECKED BY: R.E.Z.	DATE: 01/16/12
DRAWN BY: R.A.D.	REVISIONS:	SCALE: N. T. S.
BOROUGH OF HOMESTEAD – TRENCH BACKFILL FOR BELGIUM BLOCK/BRICK STREET (FULL STONE BACKFILL)		
GLENN ENGINEERING & ASSOCIATES LTD. Registered Engineers – North Huntingdon, PA		DRAWING NO.: IX : 2.03 : 05F



DESIGN BY: R.E.Z.	CHECKED BY: R.E.Z.	DATE: 01/16/12
DRAWN BY: R.A.D.	REVISIONS: ?	SCALE: N. T. S.

BOROUGH OF HOMESTEAD – TRENCH BACKFILL FOR GRAVEL & STONE ROADWAY

GLENN ENGINEERING & ASSOCIATES LTD. Registered Engineers – North Huntingdon, PA	DRAWING NO.: IX : 2.03 : 08
--	--------------------------------



DESIGN BY: R.A.D.

CHECKED BY: .

DATE: 01/16/12

DRAWN BY: R.A.D.

REVISIONS: .

SCALE: N. T. S.

BOROUGH OF HOMESTEAD – PIPE TRENCH DETAIL
FOR UNDER SIDEWALKS

GLENN ENGINEERING & ASSOCIATES LTD.
Registered Engineers – North Huntingdon, PA

DRAWING NO.:
IX : 2.03 : 10